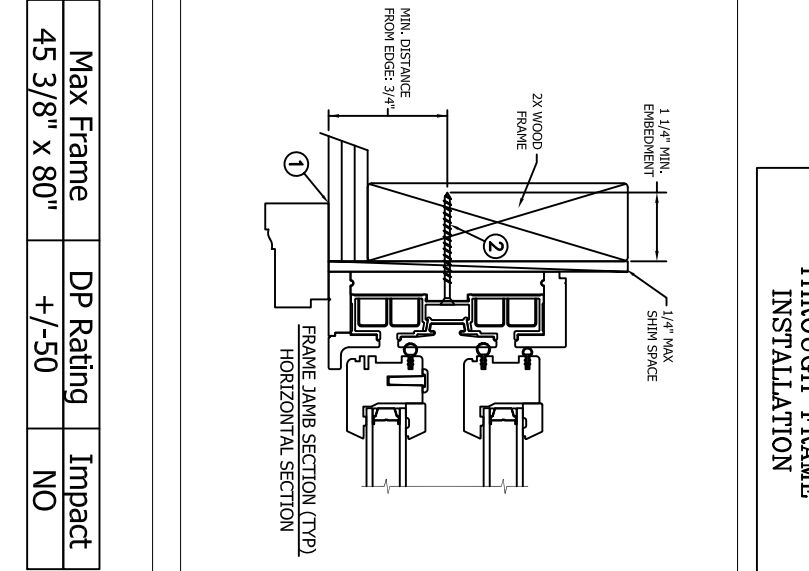
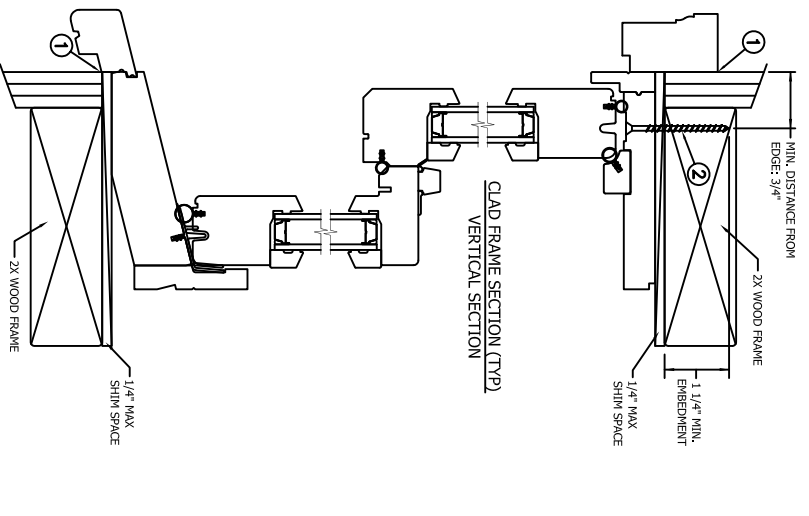
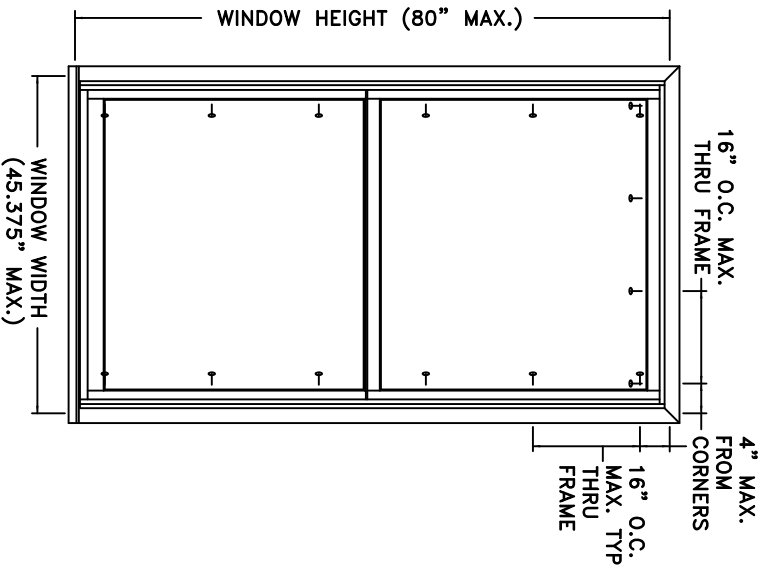


**TYPICAL ELEVATION WITH FASTENER SPACING**



Max Frame	DP Rating	Impact
45 3/8" x 80"	+/-50	NO

**Installed Fastener Schedule:**

1. Seal flange/frame to substrate.
2. All windows: install corrosion resistant #8 fasteners no more than 4" from each corner and 16" o.c. through the nail flns on all sides of the window. Fasteners must be long enough to penetrate at least 1 1/4" into framing members.

**General Notes:**

1. The product shown herein is designed, tested and manufactured to comply with the wind load criteria of the adopted International Building Code (IBC), the International Residential Code (IRC), the Florida Building Code (FBC) and the industry standard requirement for the stated conditions.
2. Buck, framing and masonry by others and is responsibility of architect or engineer of record.
3. All glazing shall conform to ASTM E1300.
4. At minimum, glazing shall be double strength annealed insulating glass.

This schedule addresses only the fasteners required to anchor the window to achieve the rated design pressure up to the size limitations noted. It is not intended as a guide to the installation process and does not address the sealing consideration that may arise in different wall conditions. For the complete installation procedure, see the instructions packaged with the door or go to [www.jeld-wen.com/resources/installation](http://www.jeld-wen.com/resources/installation).  
**DISCLAIMER:**  
 This drawing and its contents are confidential and are not to be reproduced or copied in whole or in part or used or disclosed to others except as authorized by JELD-WEN Inc.

PROJECT ENGINEER: D. VEZO	DATE: 01/19/2015		3737 Lakeport Blvd Klamath Falls, OR, 97601 Phone: (541) 882-3451
DRAWN BY: D. VEZO	SCALE: NTS		
CHECKED BY: J. JONES	TITLE: Siteline Wood Double Hung Window		
APPROVED BY: D. STOKES			
PART/PROJECT NO.: D012040	PLANT NAME AND LOCATION: Rantoul, IL	CAD DWG. NO.:	REV:
IDENTIFIER NO.: N/A			SHEET